



NEW PRODUCTS

ETT-1C-0912

EverTUFF® TURF™ Mechanical Clamp-on Transition Saddles



Designed for HDPE-to-PVC pipe transition to provide HDPE mainline take-off for PVC irrigation laterals and irrigation extensions, but fully suitable for any IPS pipe (metal or plastic) transition to PVC. Eliminates costly and cumbersome HDPE fusion process, which is generally cost prohibitive. Depending on the region and location, it has been found that the installed cost of HDPE laterals can be 25% higher than PVC laterals!

Pilot on lateral connector prevents saddle movement on pipe. Exceptionally strong Special Reinforced (SR) outlet on both Saddle outlet and Pilot Connector socket provide unparalleled strength. Injection molded in distinct blue EverTUFF® PVC proprietary material. Pilot Connectors are replaceable and interchangeable with any size EverTUFF® Mechanical Saddle for greater versatility.

Easy Installation - Clamp saddle to pipe, drill hole, install screw-in Pilot Connector with socket outlet. Available for a variety of mainline sizes and can be easily bushed for reduced lateral take-off sizes or special connections.

- Socket Outlet
- 315 psi Pressure Rating @ 73°F
- Stainless Steel Mechanical Clamp
- Elastomer Gasket & O-ring Seals
- Interchangeable 1-1/2" & 2" Lateral Connector Sizes
- Stainless Steel Reinforcing Rings for Extra Strength

Mechanical Clamp-on Transition Saddles

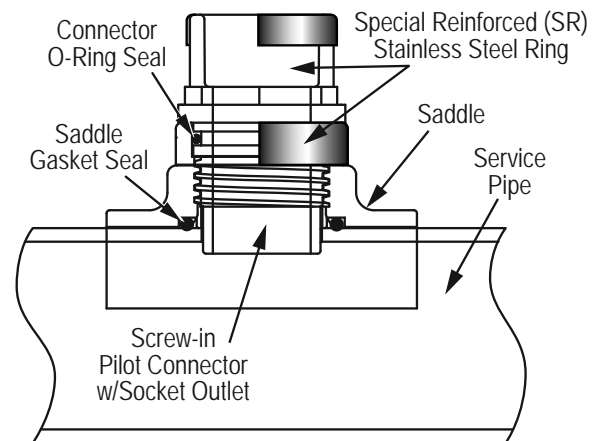
Pipe O.D. x Socket

For Polyethylene (or any IPS pipe, metal or plastic) - To - PVC Transitions

Part Number	Size	Std Pk	Mstr Ctn	Disc Code	Price Each
865-419	4X1-1/2	2	0	086	733.37
865-420	4X2	1	0	086	743.42
865-527	6X1-1/2	1	0	086	804.53
865-528	6X2	1	0	086	838.42
865-577	8X1-1/2	1	0	086	941.68
865-578	8X2	1	0	086	978.32

Pipe O.D. x Spigot

Part Number	Size	Std Pk	Mstr Ctn	Disc Code	Price Each
865S-420	4X2	1	0	086	700.83
865S-528	6X2	1	0	086	1017.58
865S-578	8X2	1	0	086	1131.68

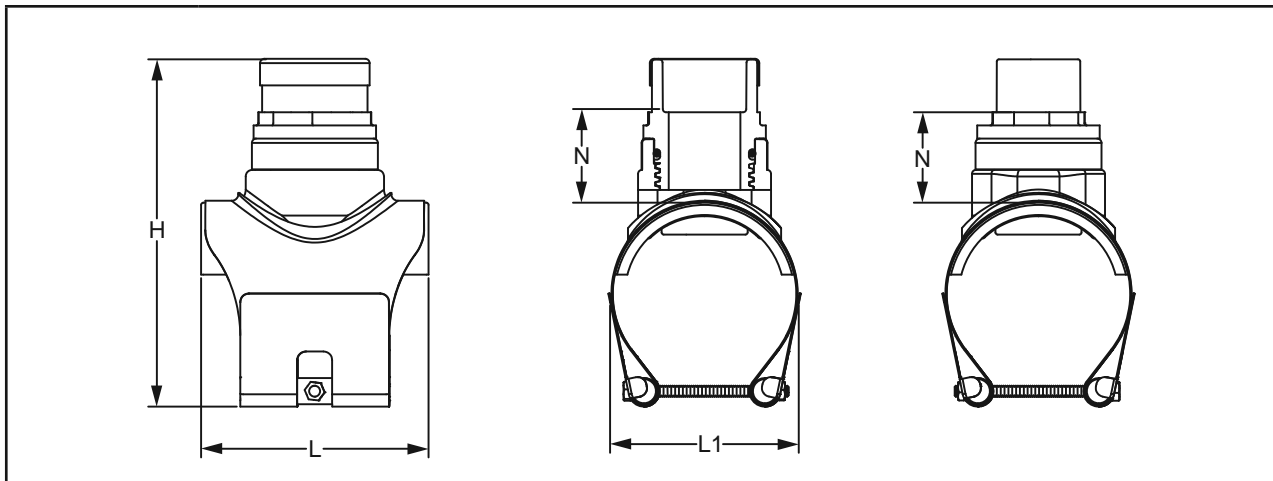


Note: Mechanical Clamp Not Shown

Effective August 26, 2012

Progressive Products From Spears® Innovation & Technology

DIMENSIONAL INFORMATION



Part Number	Size	H	L	L1	N	
					Socket	Spigot
865-419	4X1-1/2	9-3/4	6-1/2	5-1/8	2-9/16	---
865-420	4X2	9-3/4	6-1/2	5-1/8	2-9/16	---
865S-420	4X2	9-3/4	6-1/2	5-1/8	---	2-9/16
865-527	6X1-1/2	11-3/4	7	7-3/8	2-1/2	---
865-528	6X2	11-3/4	7	7-3/8	2-1/2	---
865S-528	6X2	11-3/4	7	7-3/8	---	2-1/2
865-577	8X1-1/2	14	7	9-1/2	2-5/8	---
865-578	8X2	14	7	9-1/2	2-5/8	---
865S-578	8X2	14	7	9-1/2	---	2-5/8



Limited Lifetime Warranty*

*See Spears® Limited Lifetime Warranty for additional warranty details.

Prices subject to change without notice. Possession of this price schedule shall not be construed as an offer to sell the products listed. Product drawing(s) & photo(s) are representative and may not fully reflect product configuration.



SPEARS® MANUFACTURING COMPANY
 Corporate Office
 15853 Olden Street • Sylmar, CA 91342
 PO Box 9203 • Sylmar, CA 91392
 (818) 364-1611 • <http://www.spearsmfg.com>

